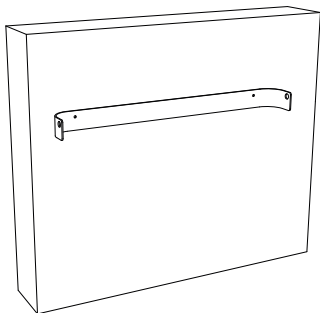


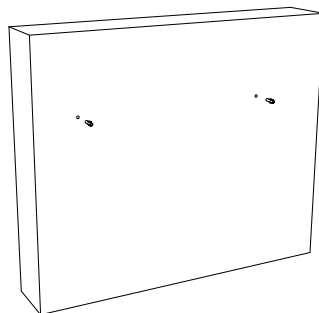
ARC TOWEL BAR

Assembly guide



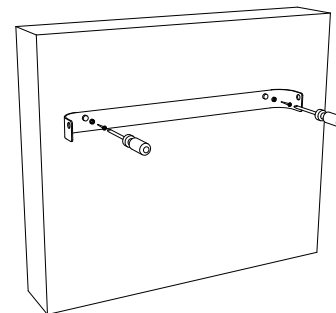
STEP 1

Place the towel bar horizontally on the wall and make marks in each hole.



STEP 2

Drill two holes into the wall and gently push the rawlplugs into the holes. Carefully tap them in at the end with a hammer.

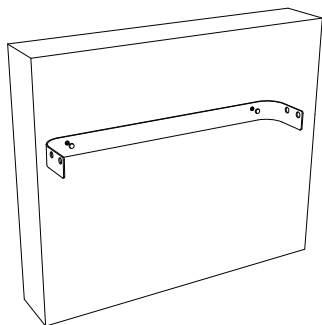


STEP 3

Mount the towel bar using the two screws and washers.

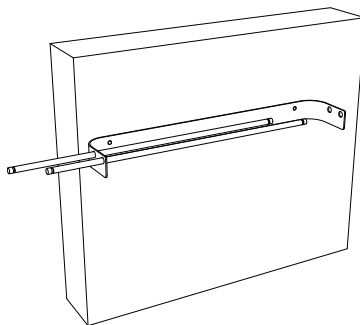
ARC TOWEL BAR

Assembly guide



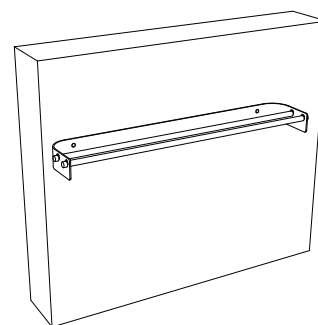
STEP 4

Screw the coins onto the washers.



STEP 5

Slide the bar(s) into the towel bar.



STEP 6

The towel bar is now ready for use.