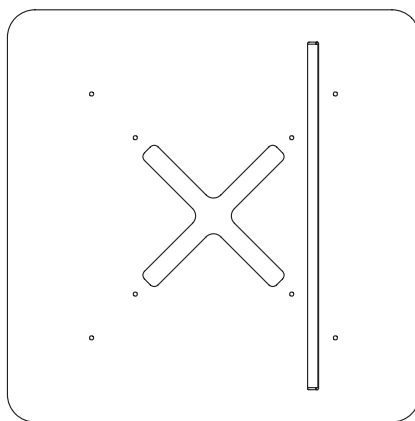
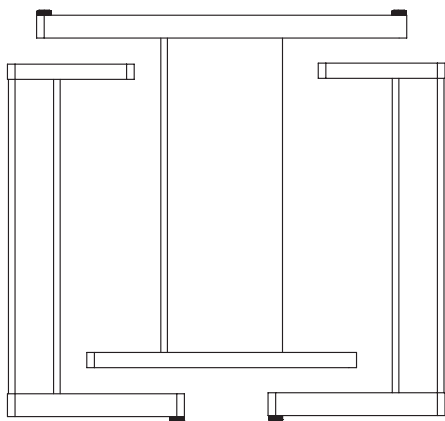
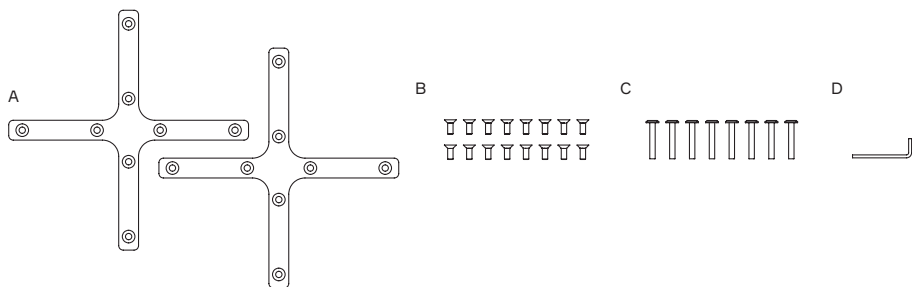


Quatrefoil Table 68x68

Assembly guide

Components

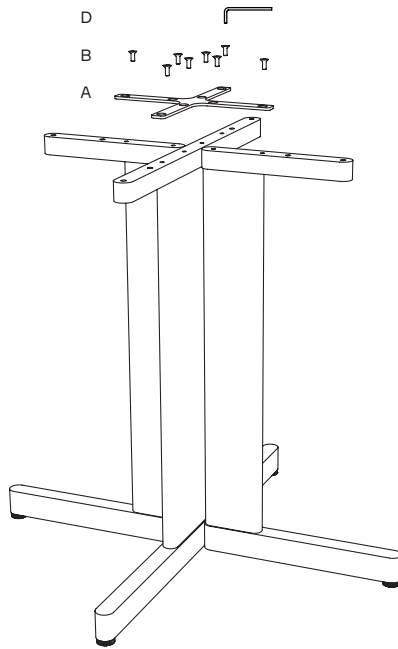
Place the components on a blanket to avoid scratches on the floor and on the product



Video assembly guide

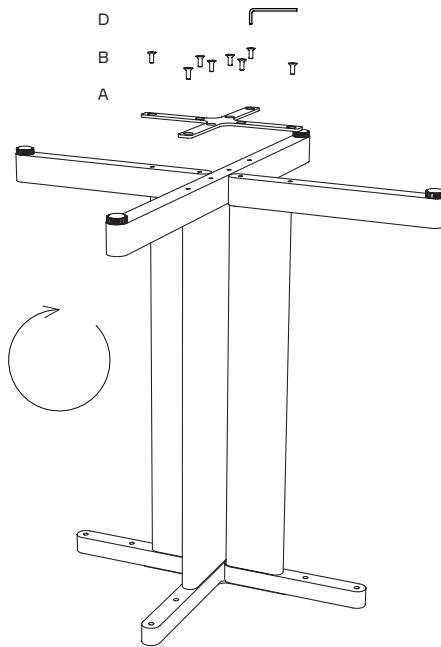
Step 1

Place the three leg components close together like shown. Mount the bracket (A) using 8 of the short screws (B) and the allen key (D). Do not over-tighten the screws



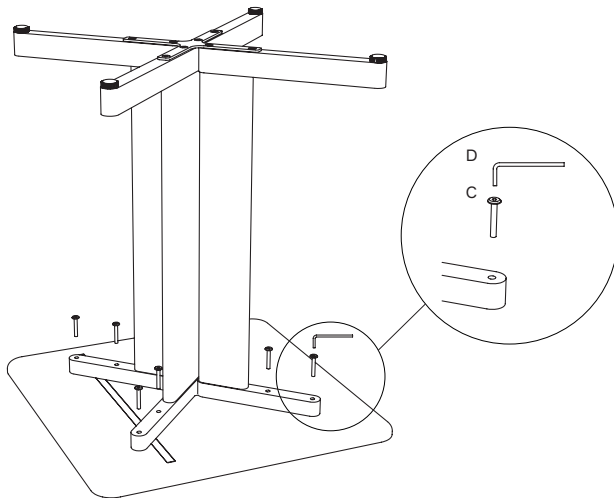
Step 2

Carefully turn around the base keeping the three components together. Mount the bracket (A) using 8 of the short screws (C) and the allen key (D). Do not overtighten the screws



Step 3

Place the assembled base on the tabletop and mount the six long screws (C)



Step 4

Turn around the table with the help of two people and the product is assembled. You can now adjust the gliders to stabilize the product. Please note that all screws might need to be tightened after a few weeks

